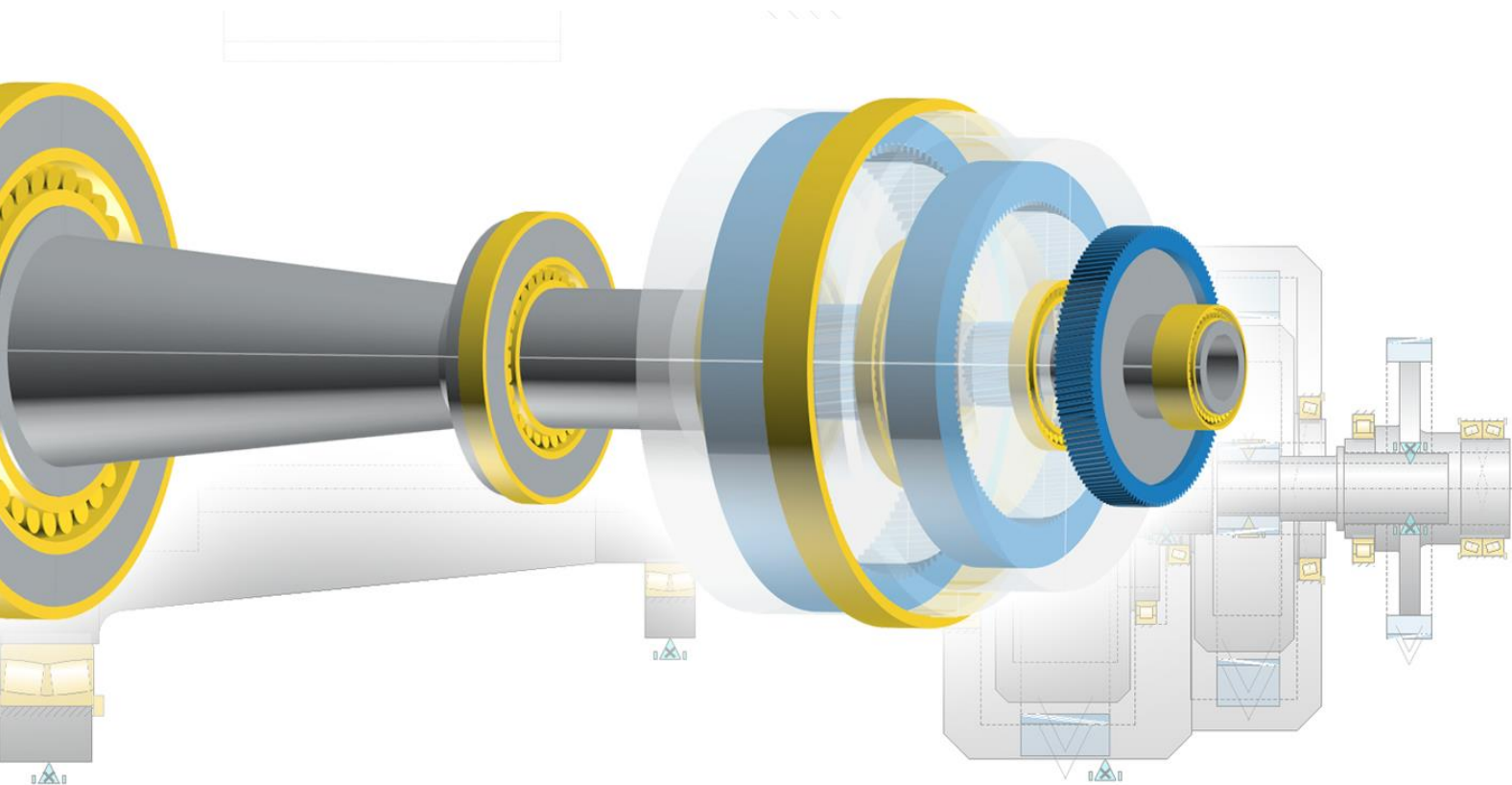


Advanced Training

Shafts and Bearings: Bearing Internal Geometry and Special Calculations

2 Live Stream Sessions



Bearing Calculations

- Life rating along ISO 281, ISO/TS 16281
- Static strength, contact stresses
- Bearing, assembly and operating clearance
- Pretension, offset, stiffness
- Contact stresses and subsurface stresses in raceways
- Influence of roller modifications
- Design of own bearing inner geometry
- Friction and power losses
- Calculations through SKF Cloud Server
- ...

Shaft Systems

- Linear vs. non-linear calculation
- Timoshenko beam vs. Euler beam
- Shaft-, bearing-, environment temperature
- Natural frequencies, critical speeds, forced response
- Calculation with load spectra
- Influence of clearance, stiffness, temperature on deformation
- ...

Tips and Tricks

- Working with 3D graphics
- Standard and special reports
- Bearing data base, bearing data
- Defining rolling element modifications
- Module specific settings
- Content of the reports
- Import drawings in shaft editor
- ...

