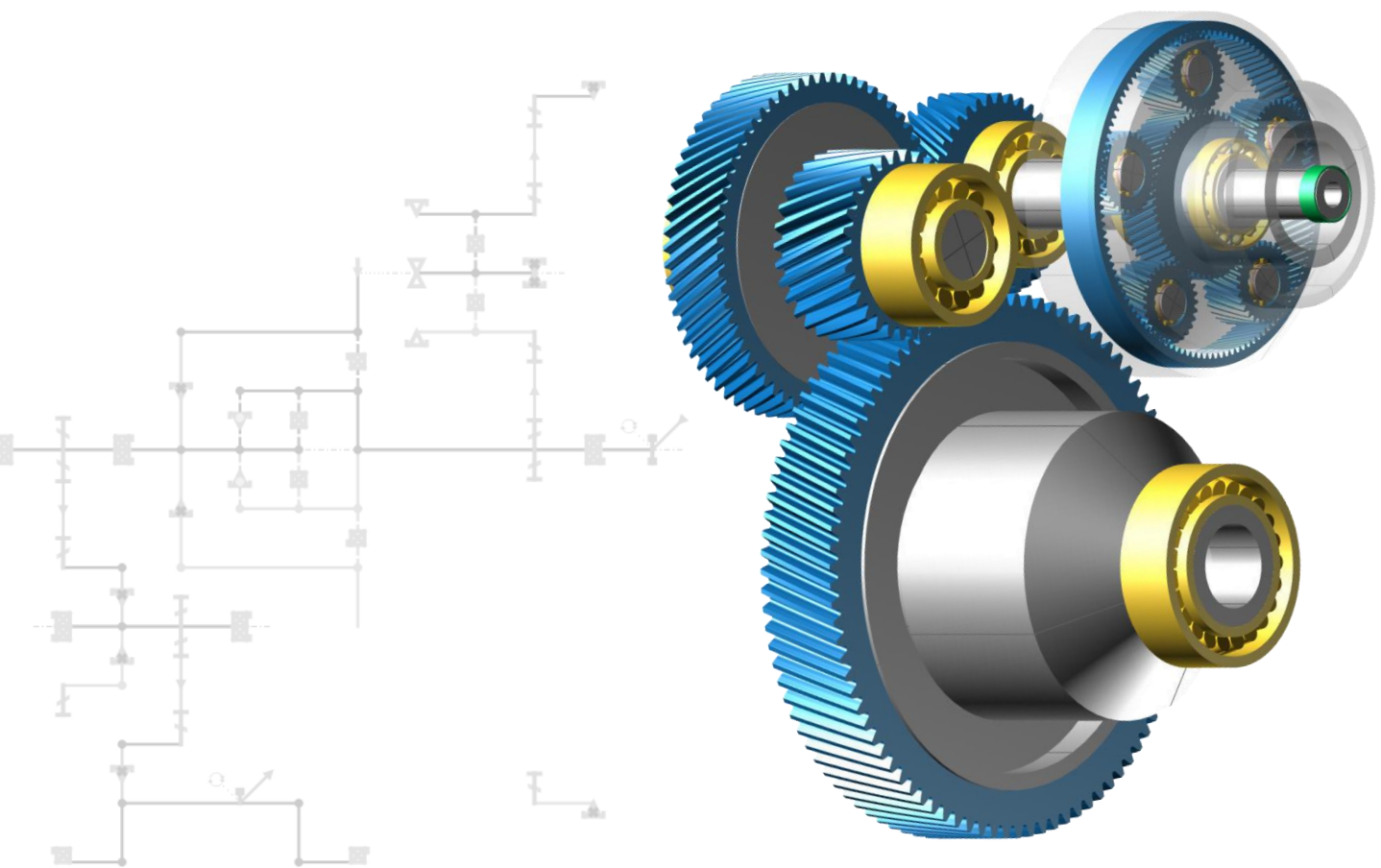


KISSsoft Training

KISSdesign – Build Part 1:
User Interface, General Settings, Model Setup

2 Live Stream Sessions



Session 1: KISSdesign Interface

- Interface presentation
- User specific settings
- Sketcher, modeling assistant
- KISSsoft®-KISSdesign® interaction
- System data
- Tree structure
- Groups

Session 2: KISSdesign Handling

- Control panel
- Kinematics (power split, epicyclics, switching matrix, operating modes)
- 3D viewer, positioning
- Ratios, system sizing
- Definition of variants
- Exercises

